

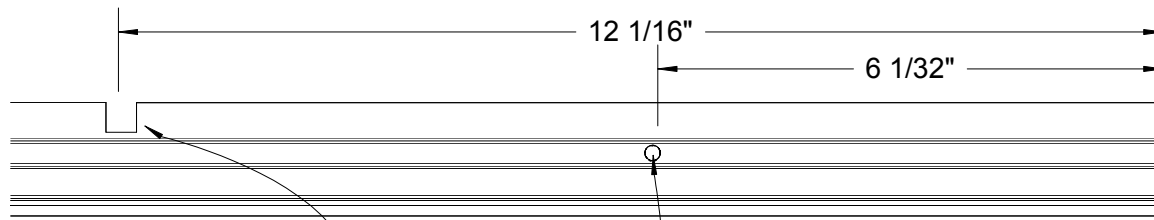
TITLE **Standard 2' x 4' Grid Assembly for GL**



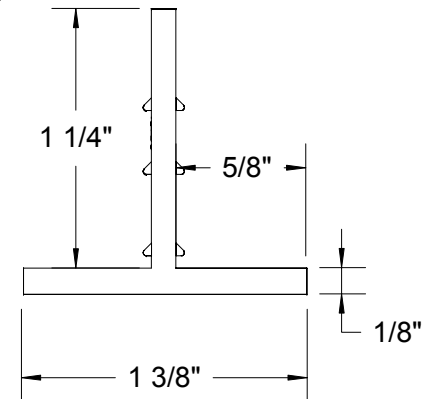
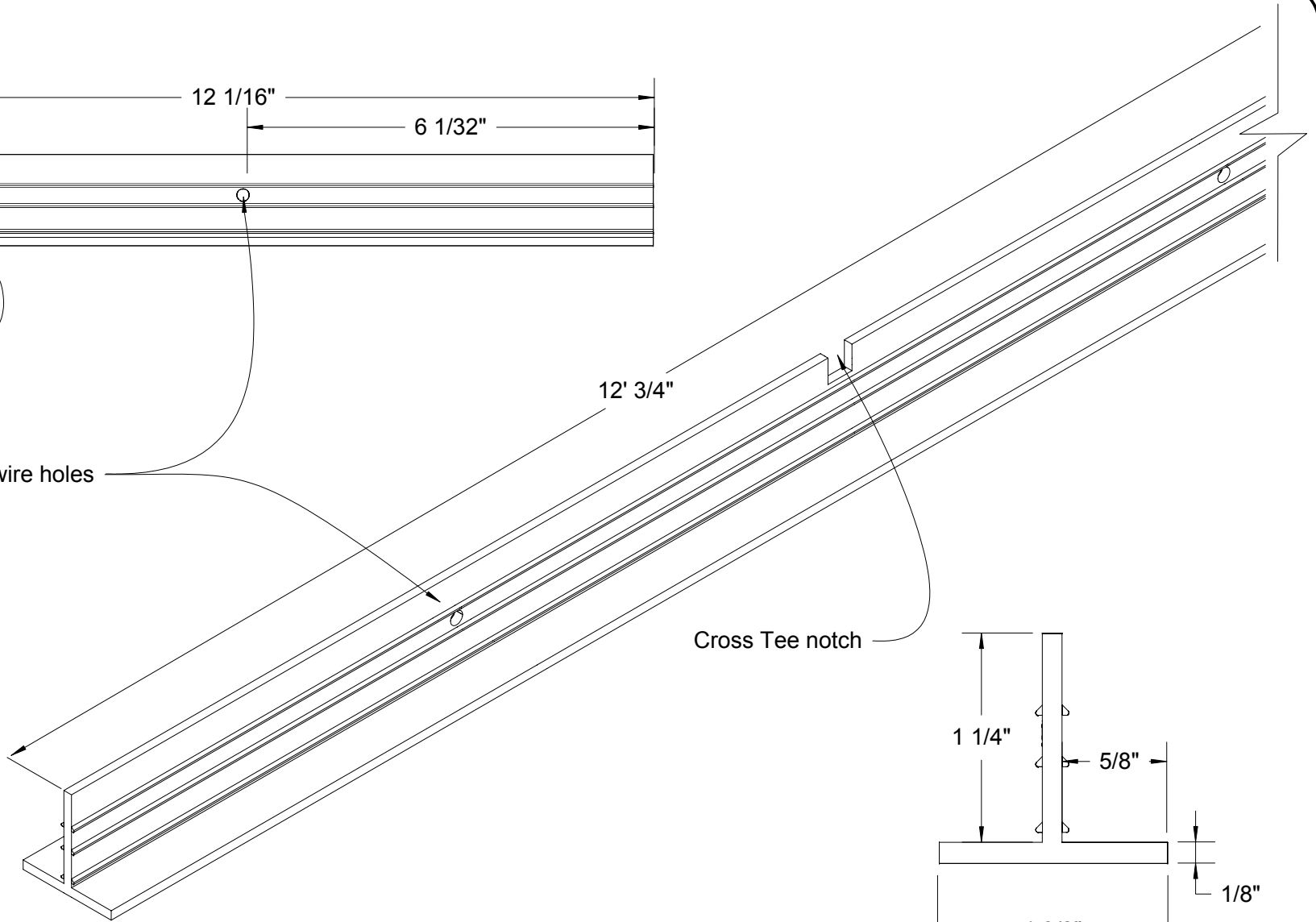
**Life Science Products, Inc.**  
 124 Speer Road Chestertown, MD 21620  
 www.LSPinc.com

800-638-9874  
 (410)778-6474  
 Fax (410)778-4076

SIZE <b>A</b>	CAGE CODE	DWG NO <b>GL_c3.02b</b>	REV
SCALE	SHEET		



Hanging wire holes



TITLE

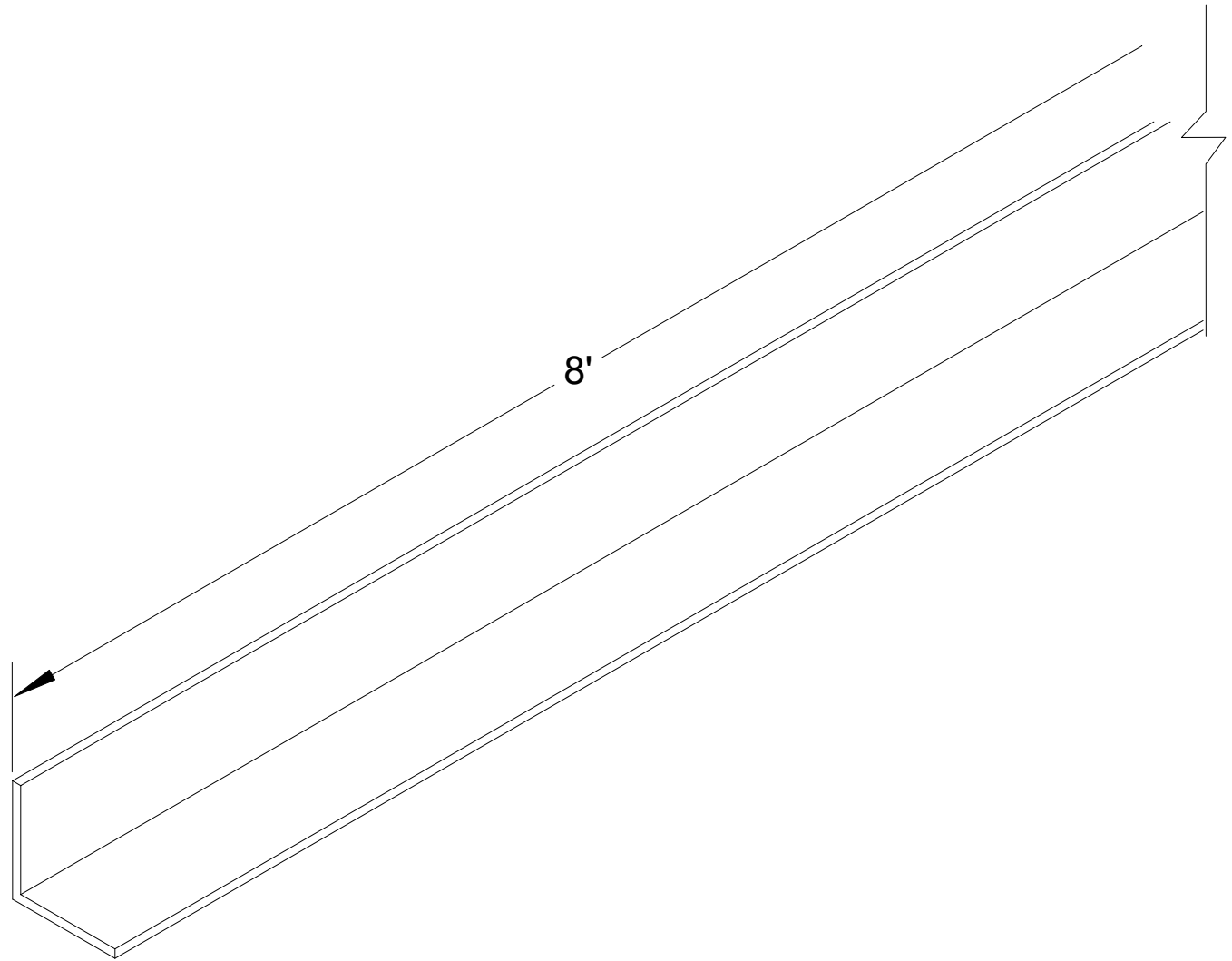
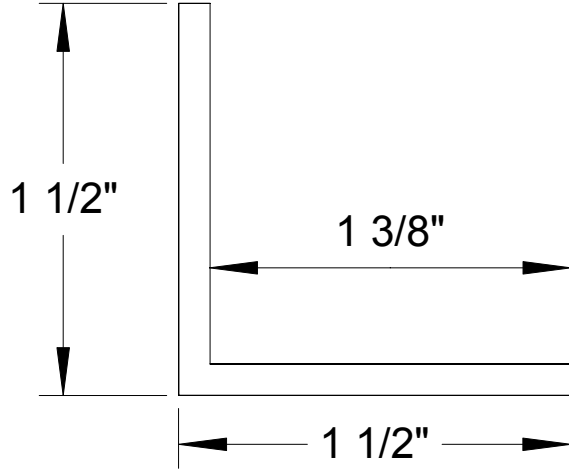
**Grid Lock 12' main runner**



**Life Science Products, Inc.**  
 124 Speer Road Chestertown, MD 21620  
 www.LSPinc.com

800-638-9874  
 (410)778-6474  
 Fax (410)778-4076

SIZE <b>A</b>	CAGE CODE	DWG NO <b>GL_c2.01</b>	REV
SCALE	SHEET		



TITLE

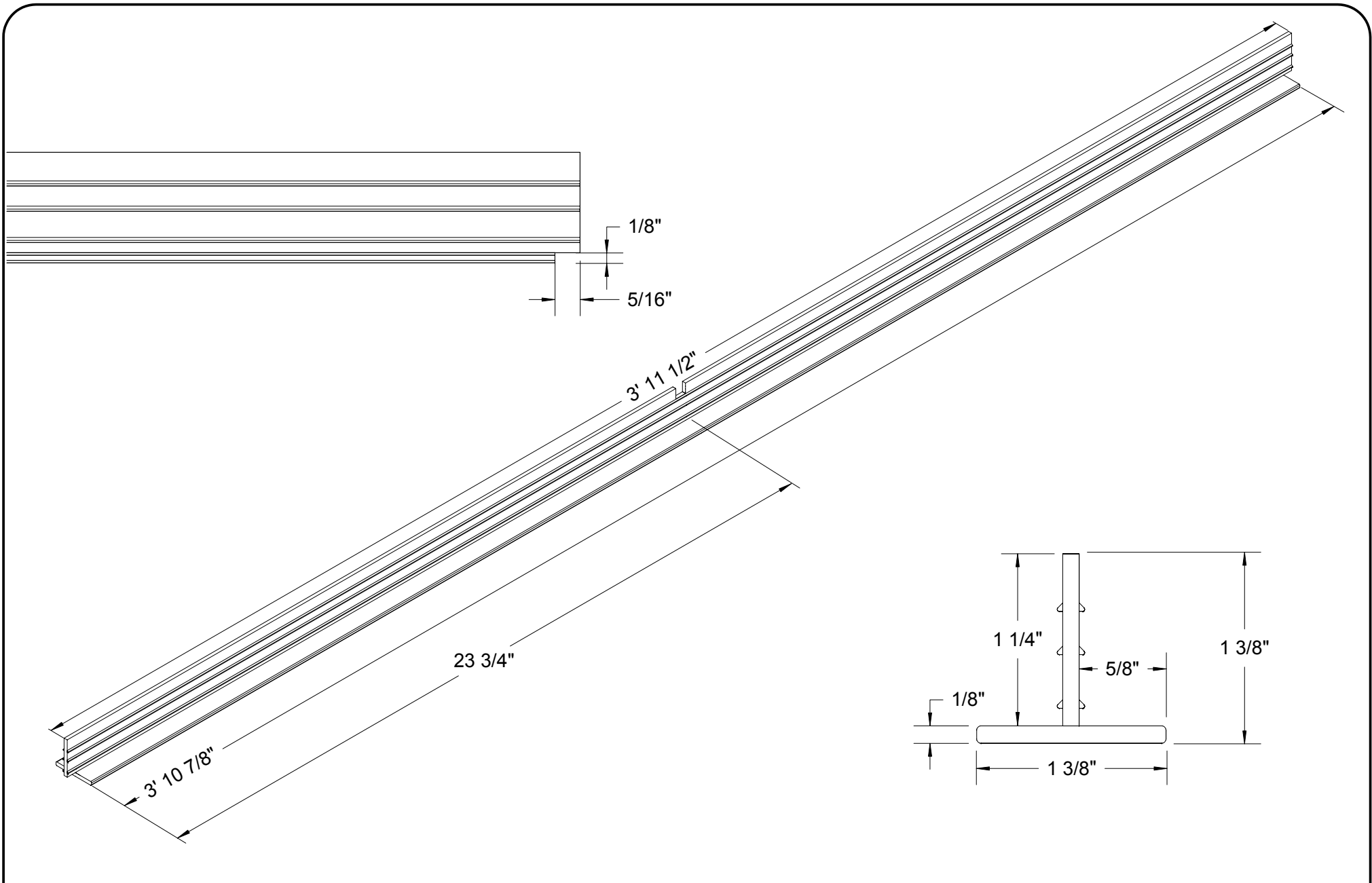
**Grid Lock 8' fiberglass wall angle**



**Life Science Products, Inc.**  
 124 Speer Road Chestertown, MD 21620  
 www.LSPinc.com

800-638-9874  
 (410)778-6474  
 Fax (410)778-4076

SIZE <b>A</b>	CAGE CODE	DWG NO <b>GL_c2.02</b>	REV
SCALE	SHEET		



TITLE

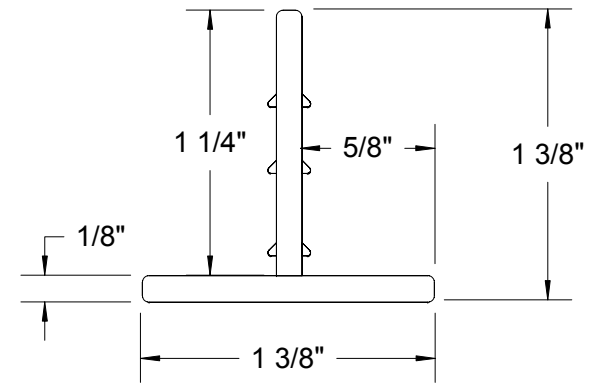
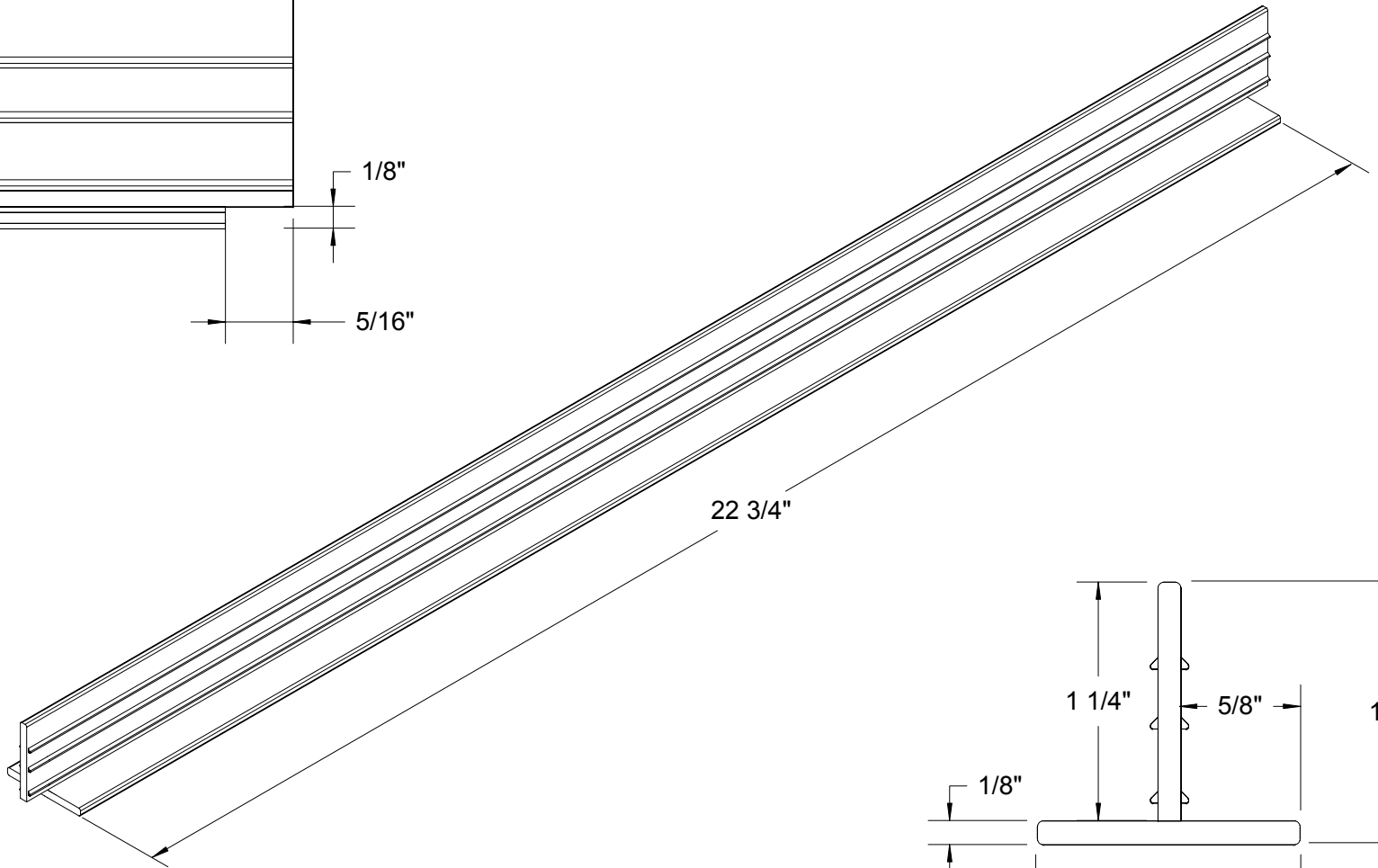
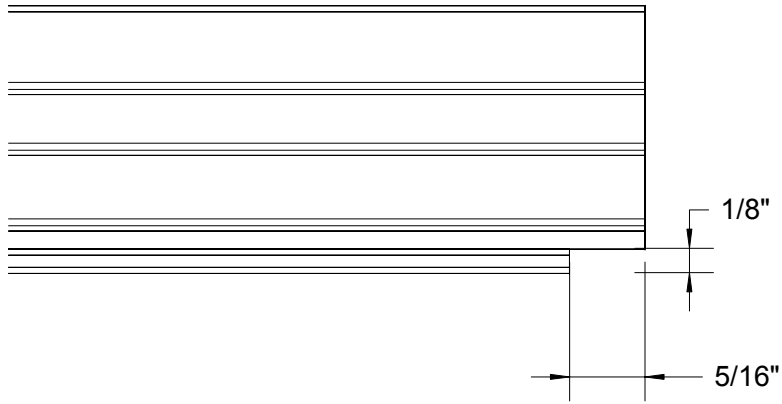
### Grid Lock 4' fiberglass cross Tee



**Life Science Products, Inc.**  
 124 Speer Road Chestertown, MD 21620  
 www.LSPinc.com

800-638-9874  
 (410)778-6474  
 Fax (410)778-4076

SIZE <b>A</b>	CAGE CODE	DWG NO <b>GL_c2.03</b>	REV
SCALE	SHEET		



TITLE

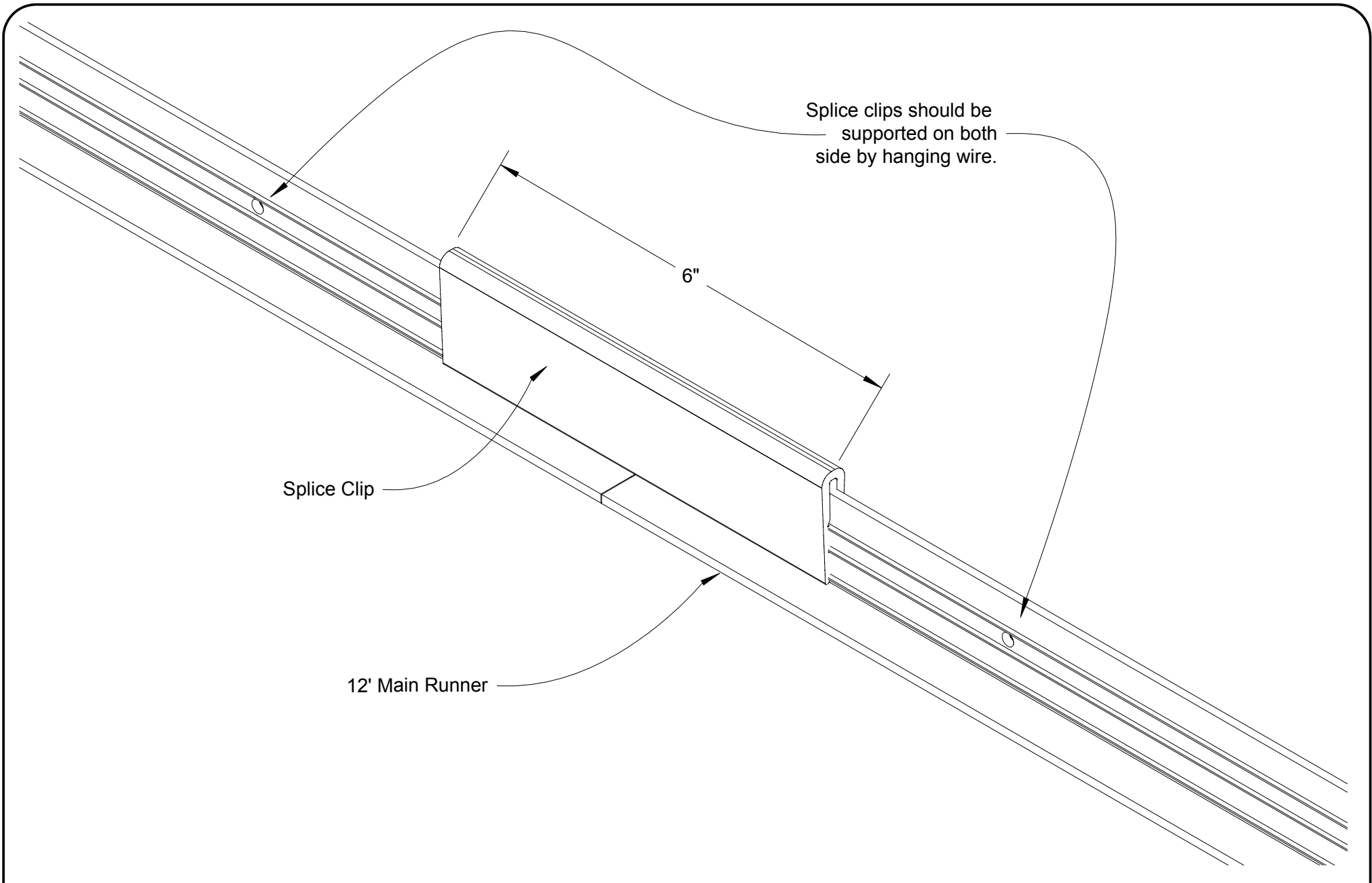
**Grid Lock 2' fiberglass cross Tee**



**Life Science Products, Inc.**  
 124 Speer Road Chestertown, MD 21620  
 www.LSPinc.com

800-638-9874  
 (410)778-6474  
 Fax (410)778-4076

SIZE <b>A</b>	CAGE CODE	DWG NO <b>GL_c2.04</b>	REV
SCALE	SHEET		



Splice clips should be supported on both side by hanging wire.

6"

Splice Clip

12' Main Runner

TITLE

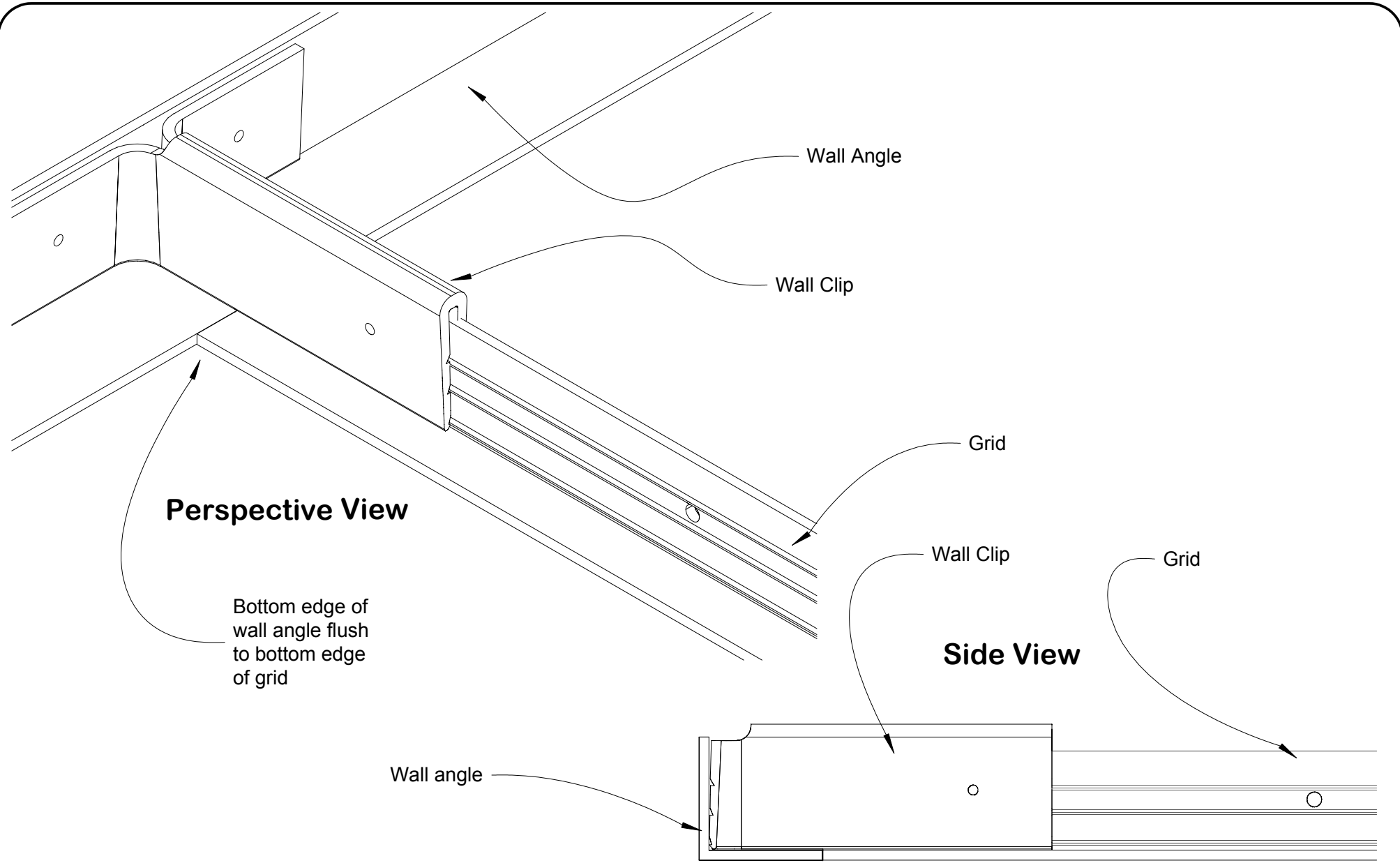
**Splice Clip Assembly**



**Life Science Products, Inc.**  
 124 Speer Road Chestertown, MD 21620  
 www.LSPinc.com

800-638-9874  
 (410)778-6474  
 Fax (410)778-4076

SIZE <b>A</b>	CAGE CODE	DWG NO <b>GL_c2.10</b>	REV
SCALE	SHEET		



TITLE

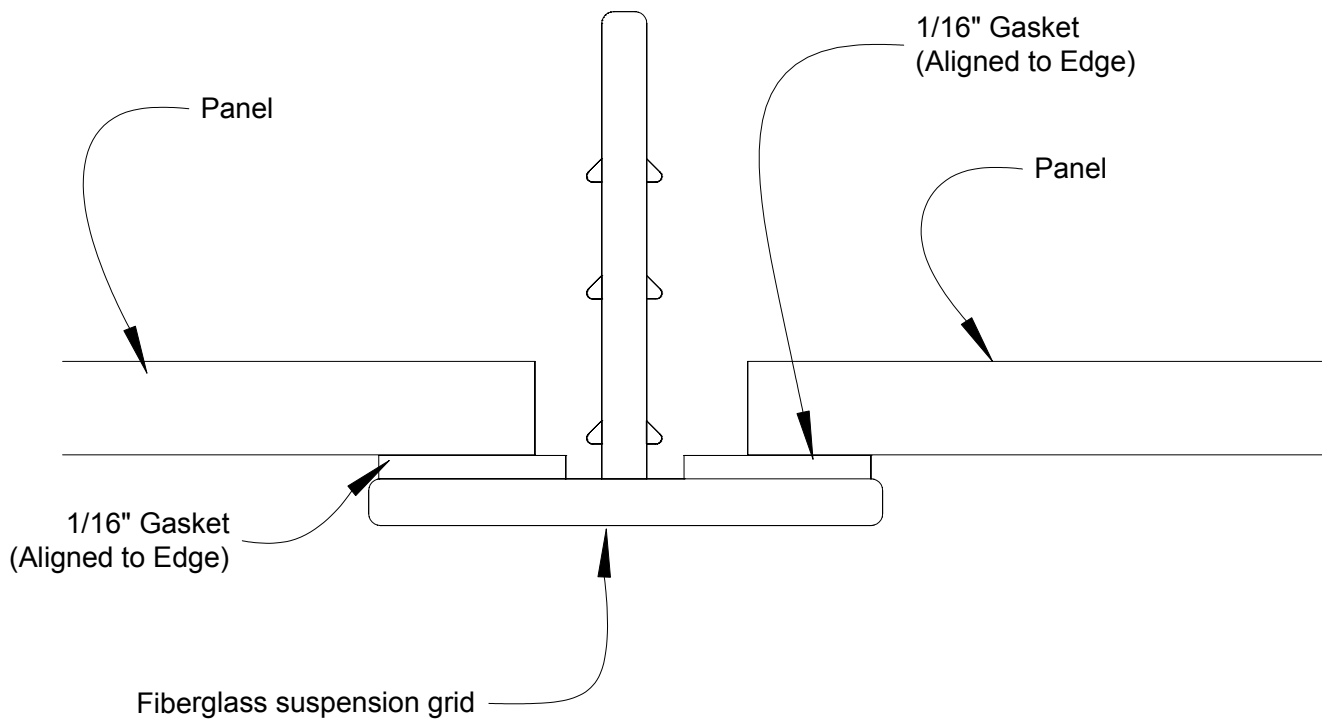
# Standard Grid Flush Wall Assembly



**Life Science Products, Inc.**  
 124 Speer Road      Chestertown, MD 21620  
 www.LSPinc.com

800-638-9874  
 (410)778-6474  
 Fax (410)778-4076

SIZE <b>A</b>	CAGE CODE	DWG NO <b>GL_c3.04a</b>	REV
SCALE	SHEET		



TITLE **Standard Grid Assembly with 1/16" Gasket**

SIZE <b>A</b>	CAGE CODE	DWG NO	REV	<b>GL_c3.05a</b>
------------------	-----------	--------	-----	------------------

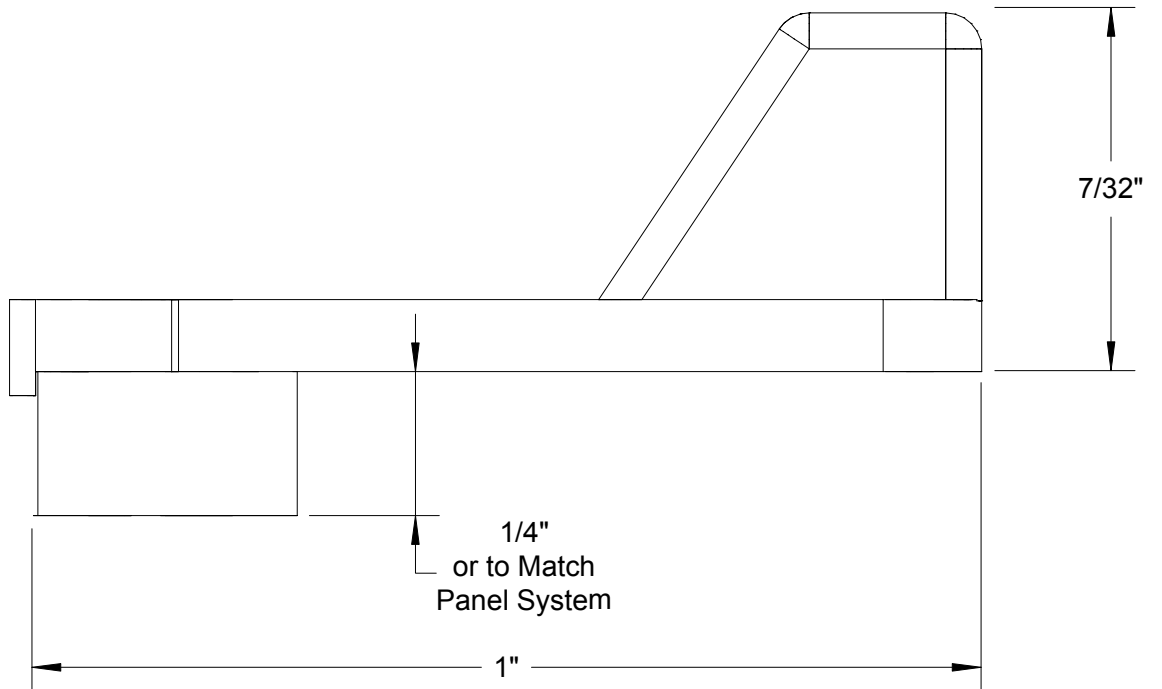
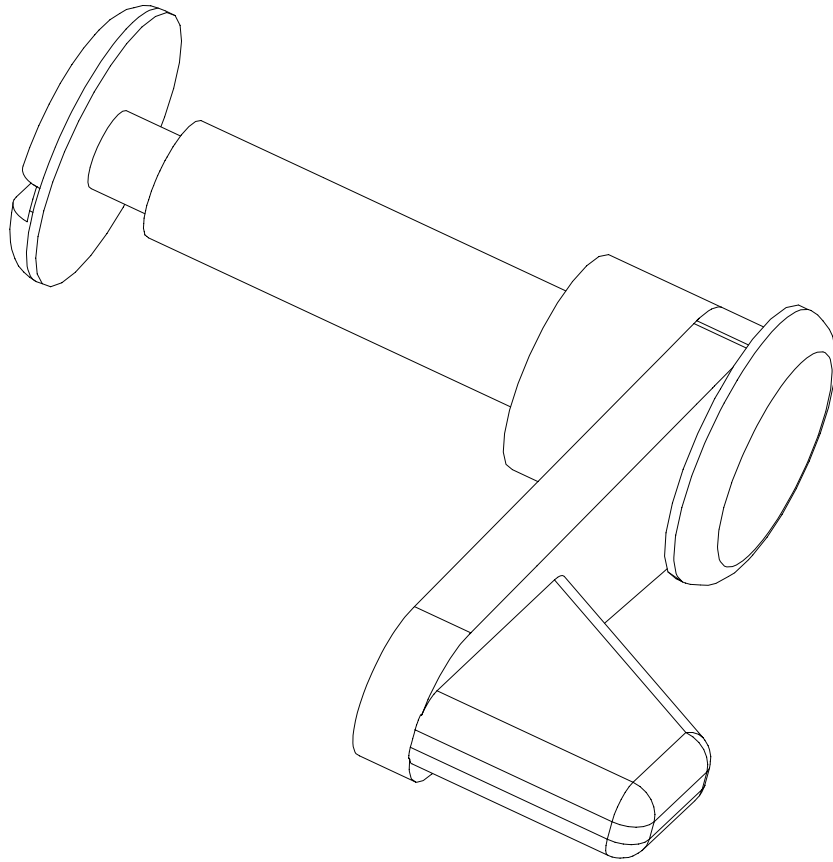


**Life Science Products, Inc.**  
 124 Speer Road      Chestertown, MD 21620  
 www.LSPinc.com

800-638-9874  
 (410)778-6474  
 Fax (410)778-4076

SCALE  
 SHEET





TITLE

**GridLock SA standard access assembly**

SIZE  
**A**

CAGE CODE

DWG NO

**GLSA\_c2.20**

REV

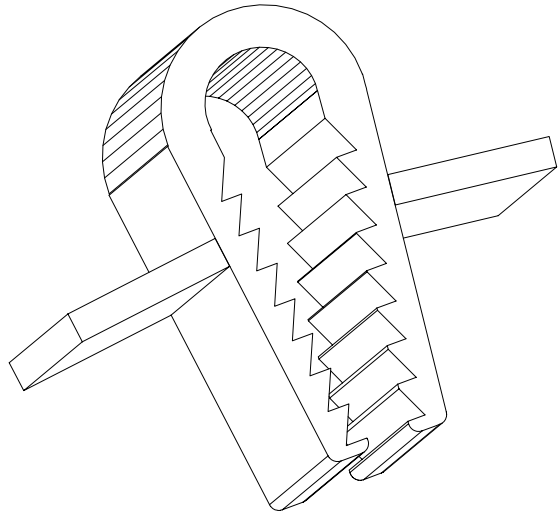


**Life Science Products, Inc.**  
 124 Speer Road Chestertown, MD 21620  
 www.LSPinc.com

800-638-9874  
 (410)778-6474  
 Fax (410)778-4076

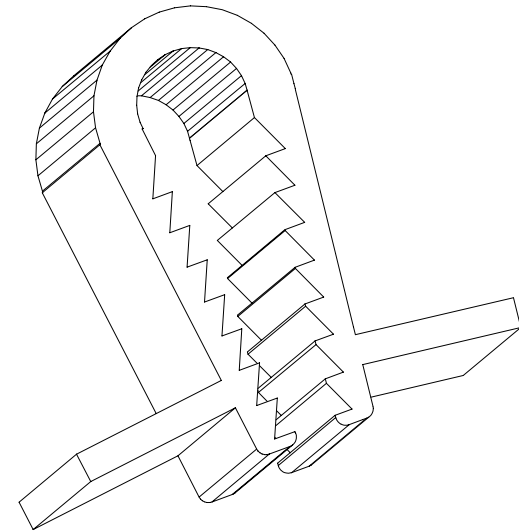
SCALE  
 SHEET

**Standard Panel Hold Down Clip**



Grip range of .750" - 1.250"

**Reveal Panel Hold Down Clip**



Grip range of .080" -.750"

TITLE

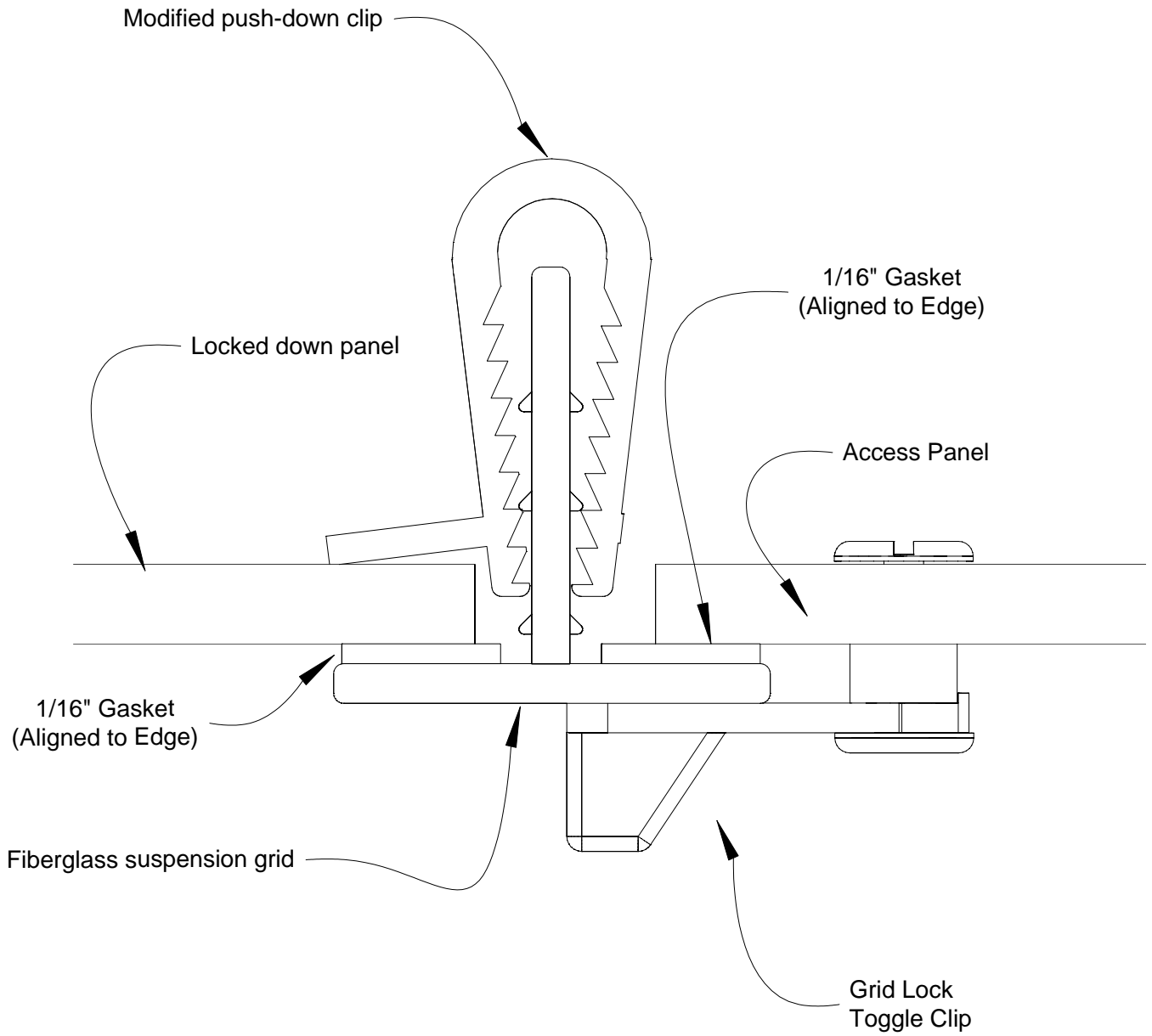
**Grid Lock SA panel hold down clips**



**Life Science Products, Inc.**  
 124 Speer Road Chestertown, MD 21620  
 www.LSPinc.com

800-638-9874  
 (410)778-6474  
 Fax (410)778-4076

SIZE <b>A</b>	CAGE CODE	DWG NO <b>GLSA_c2.21</b>	REV
SCALE	SHEET		



TITLE **Select Access Grid Assembly with 1/16" Gasket**

SIZE <b>A</b>	CAGE CODE	DWG NO <b>GLSA_c3.06a</b>	REV
------------------	-----------	------------------------------	-----

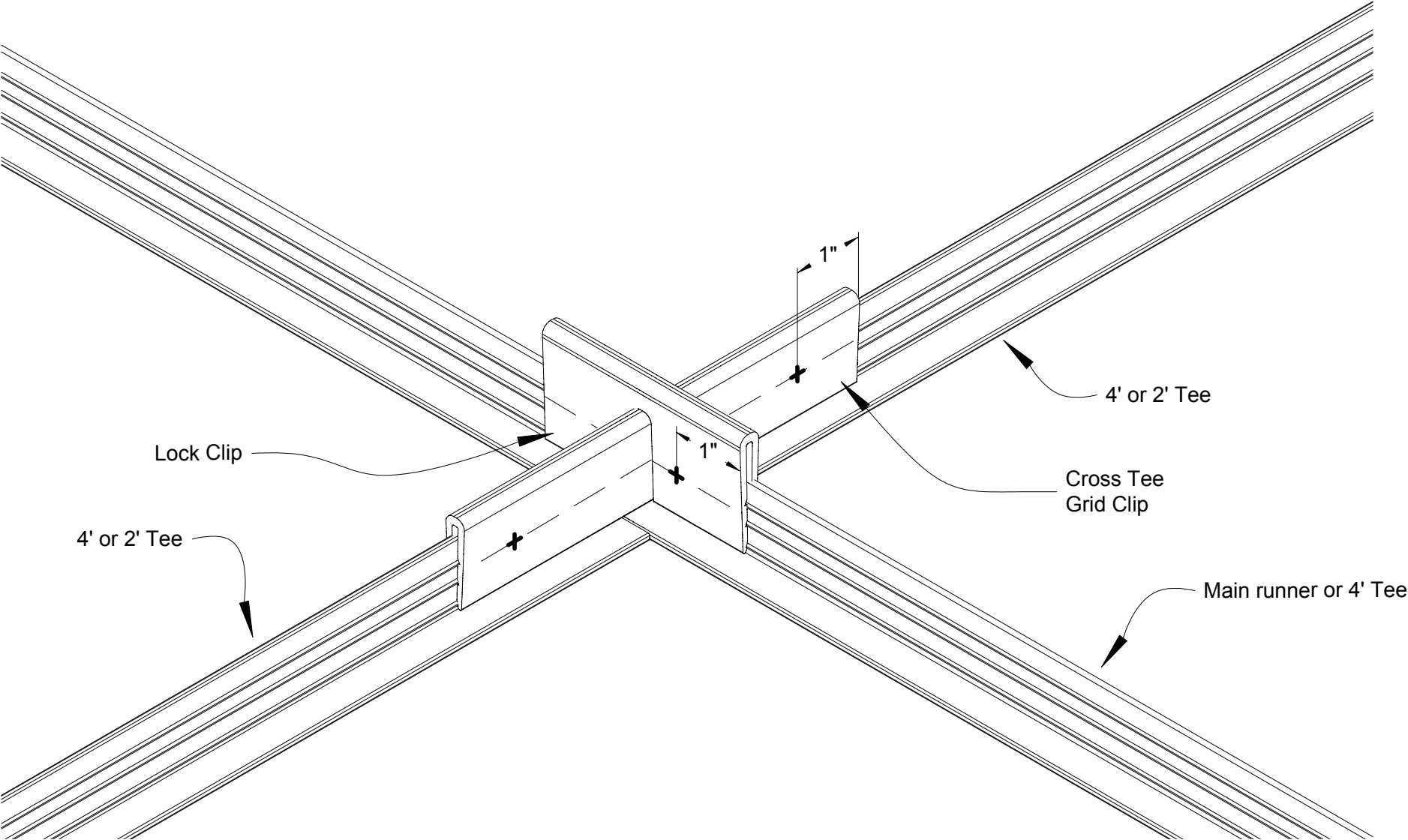


**Life Science Products, Inc.**  
 124 Speer Road      Chestertown, MD 21620  
 www.LSPinc.com

800-638-9874  
 (410)778-6474  
 Fax (410)778-4076

SCALE  
 SHEET

Top perspective view



TITLE Complete Standard Grid Assembly for GL



**Life Science Products, Inc.**  
 124 Speer Road Chestertown, MD 21620  
 www.LSPinc.com

800-638-9874  
 (410)778-6474  
 Fax (410)778-4076

SIZE <b>A</b>	CAGE CODE	DWG NO	<b>GL_c3.01b</b>	REV
SCALE	SHEET			