

Top perspective view

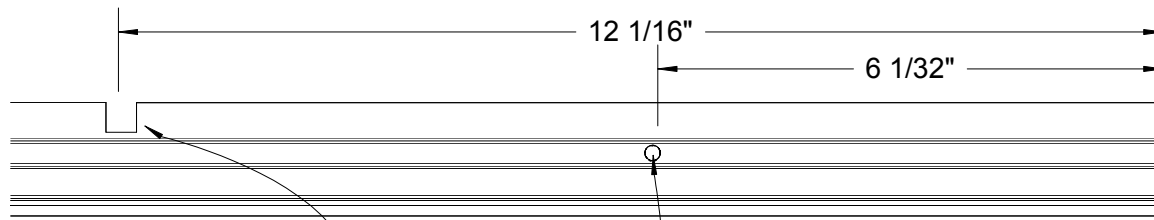
TITLE **Standard 2' x 2' Grid Assembly for GL**



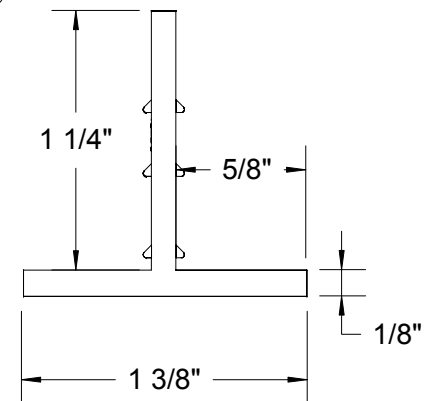
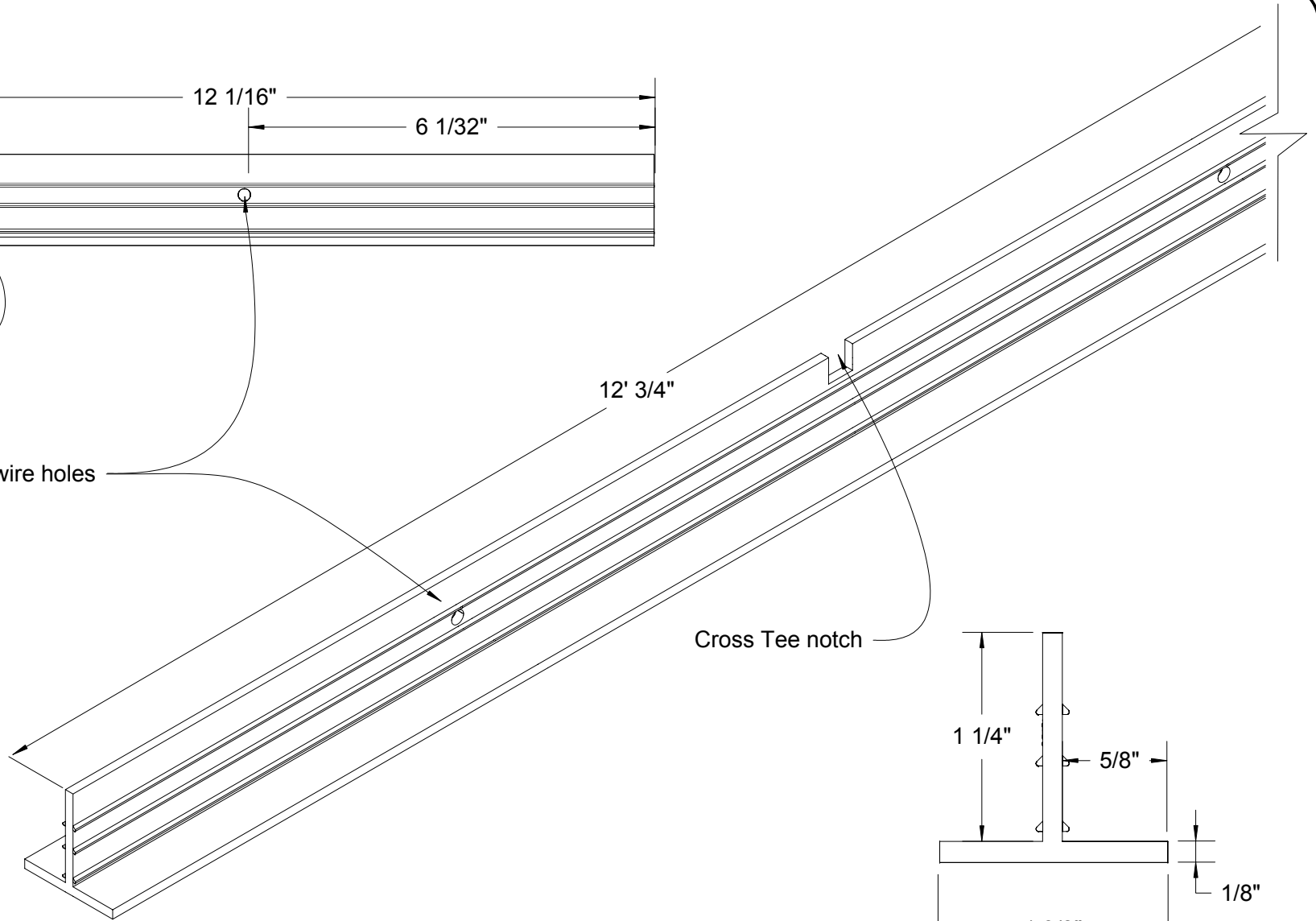
Life Science Products, Inc.
 124 Speer Road Chestertown, MD 21620
 www.LSPinc.com

800-638-9874
 (410)778-6474
 Fax (410)778-4076

SIZE A	CAGE CODE	DWG NO GL_c3.02a	REV
SCALE	SHEET		



Hanging wire holes



TITLE

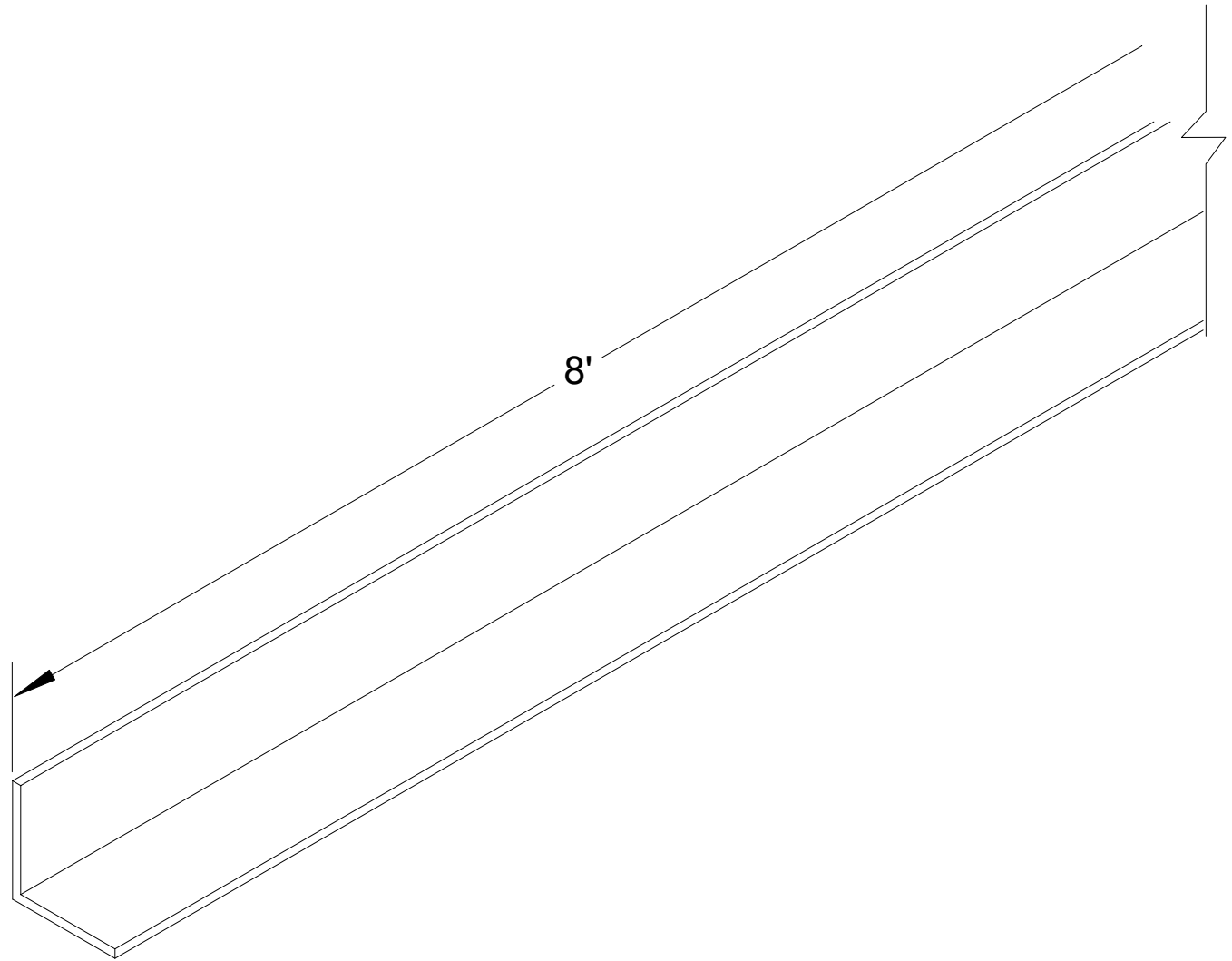
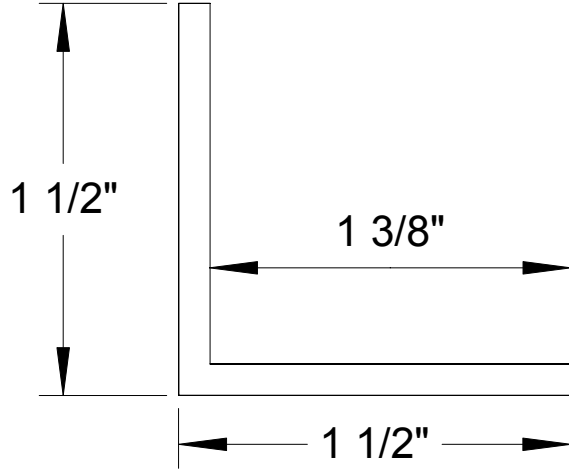
Grid Lock 12' main runner



Life Science Products, Inc.
 124 Speer Road Chestertown, MD 21620
 www.LSPinc.com

800-638-9874
 (410)778-6474
 Fax (410)778-4076

SIZE A	CAGE CODE	DWG NO GL_c2.01	REV
SCALE	SHEET		



TITLE

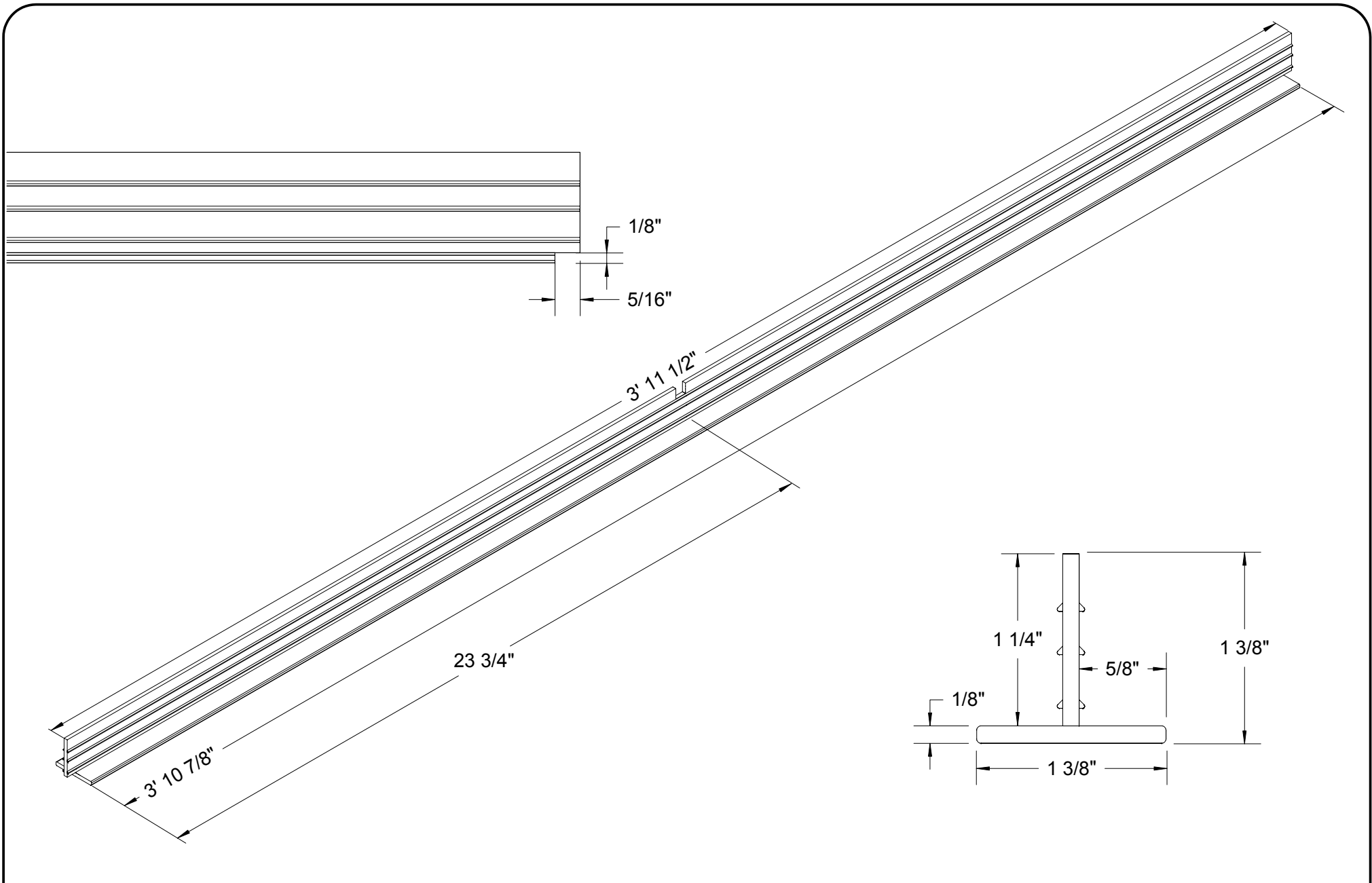
Grid Lock 8' fiberglass wall angle



Life Science Products, Inc.
 124 Speer Road Chestertown, MD 21620
 www.LSPinc.com

800-638-9874
 (410)778-6474
 Fax (410)778-4076

SIZE A	CAGE CODE	DWG NO GL_c2.02	REV
SCALE	SHEET		



TITLE

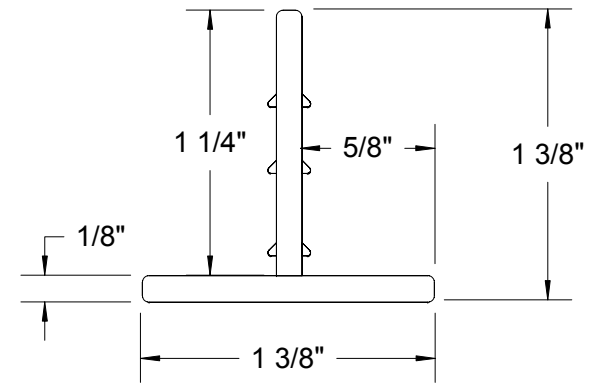
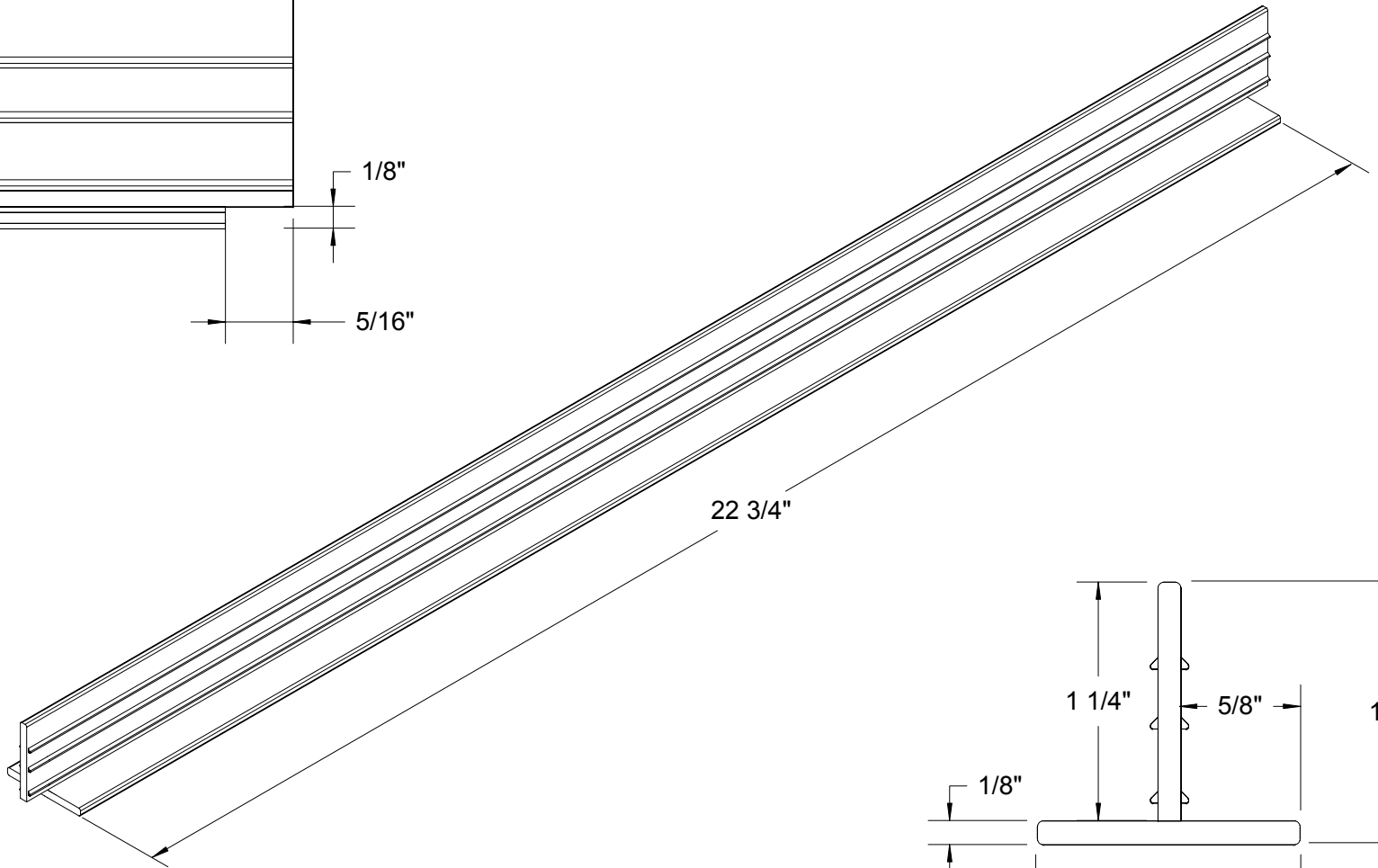
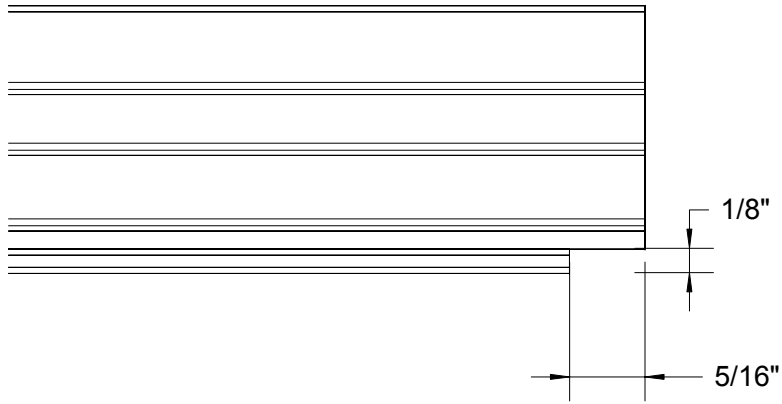
Grid Lock 4' fiberglass cross Tee



Life Science Products, Inc.
 124 Speer Road Chestertown, MD 21620
 www.LSPinc.com

800-638-9874
 (410)778-6474
 Fax (410)778-4076

SIZE A	CAGE CODE	DWG NO GL_c2.03	REV
SCALE	SHEET		



TITLE

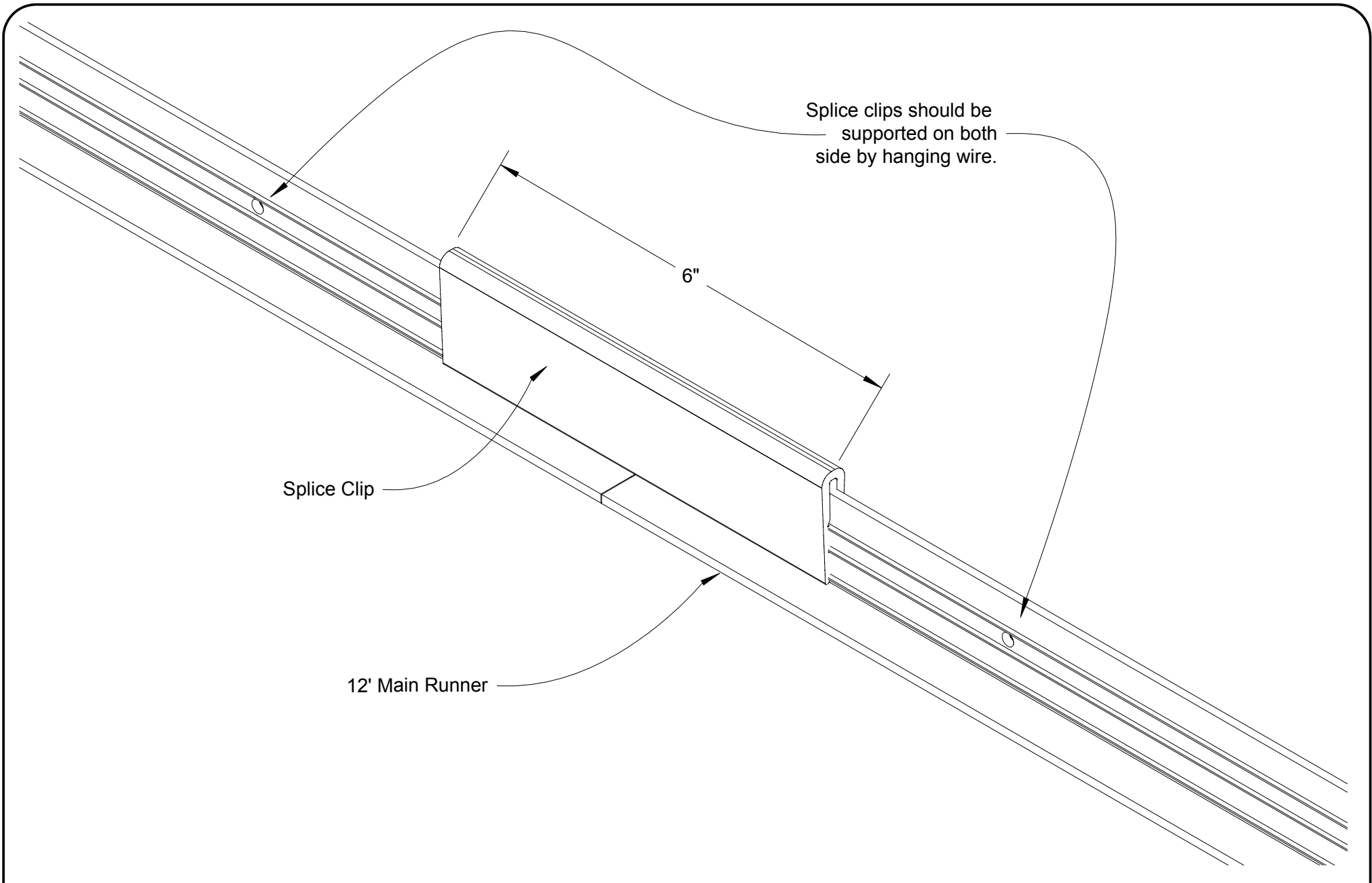
Grid Lock 2' fiberglass cross Tee



Life Science Products, Inc.
 124 Speer Road Chestertown, MD 21620
 www.LSPinc.com

800-638-9874
 (410)778-6474
 Fax (410)778-4076

SIZE A	CAGE CODE	DWG NO GL_c2.04	REV
SCALE		SHEET	



Splice clips should be supported on both side by hanging wire.

6"

Splice Clip

12' Main Runner

TITLE

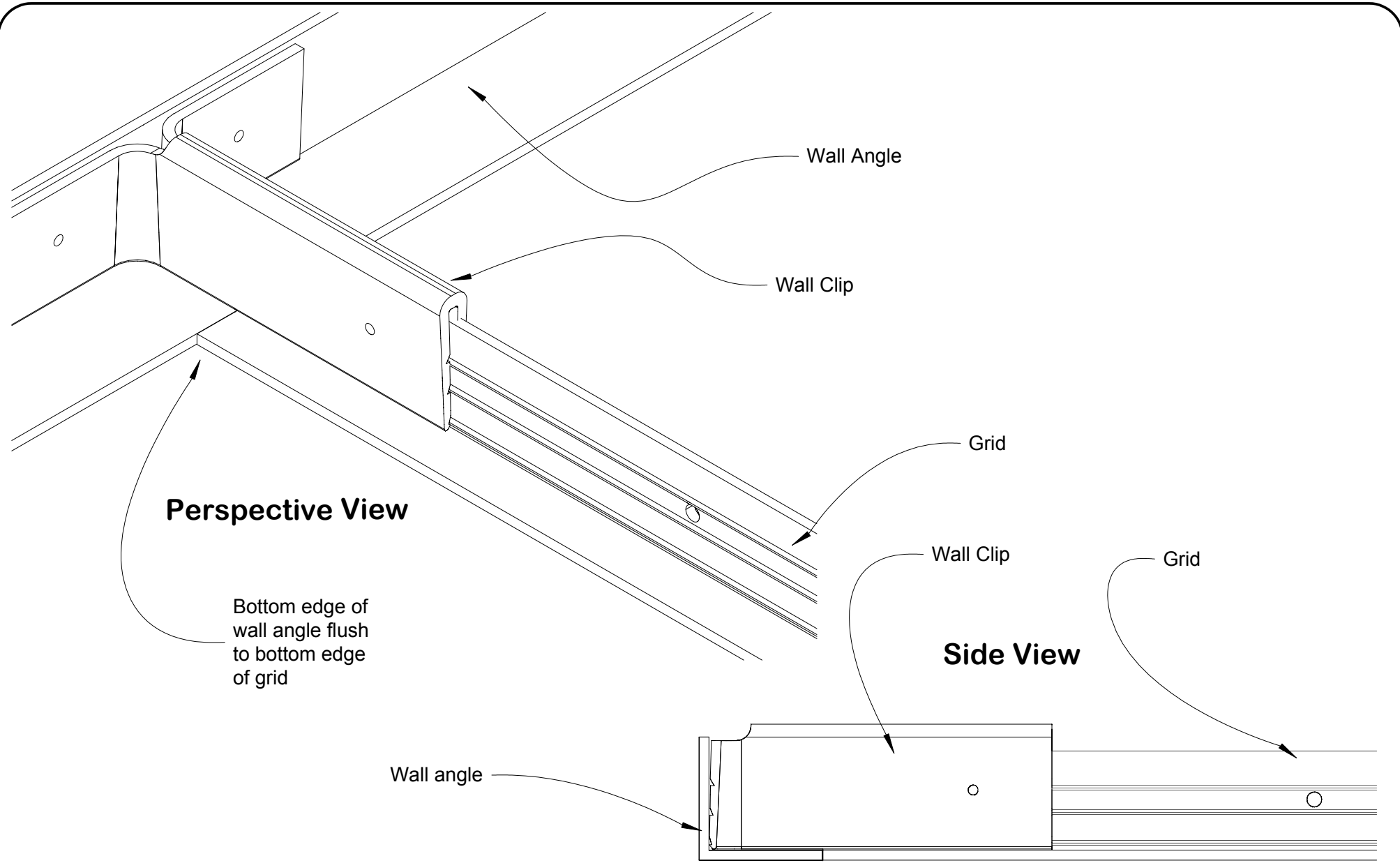
Splice Clip Assembly



Life Science Products, Inc.
 124 Speer Road Chestertown, MD 21620
 www.LSPinc.com

800-638-9874
 (410)778-6474
 Fax (410)778-4076

SIZE A	CAGE CODE	DWG NO GL_c2.10	REV
SCALE	SHEET		



TITLE

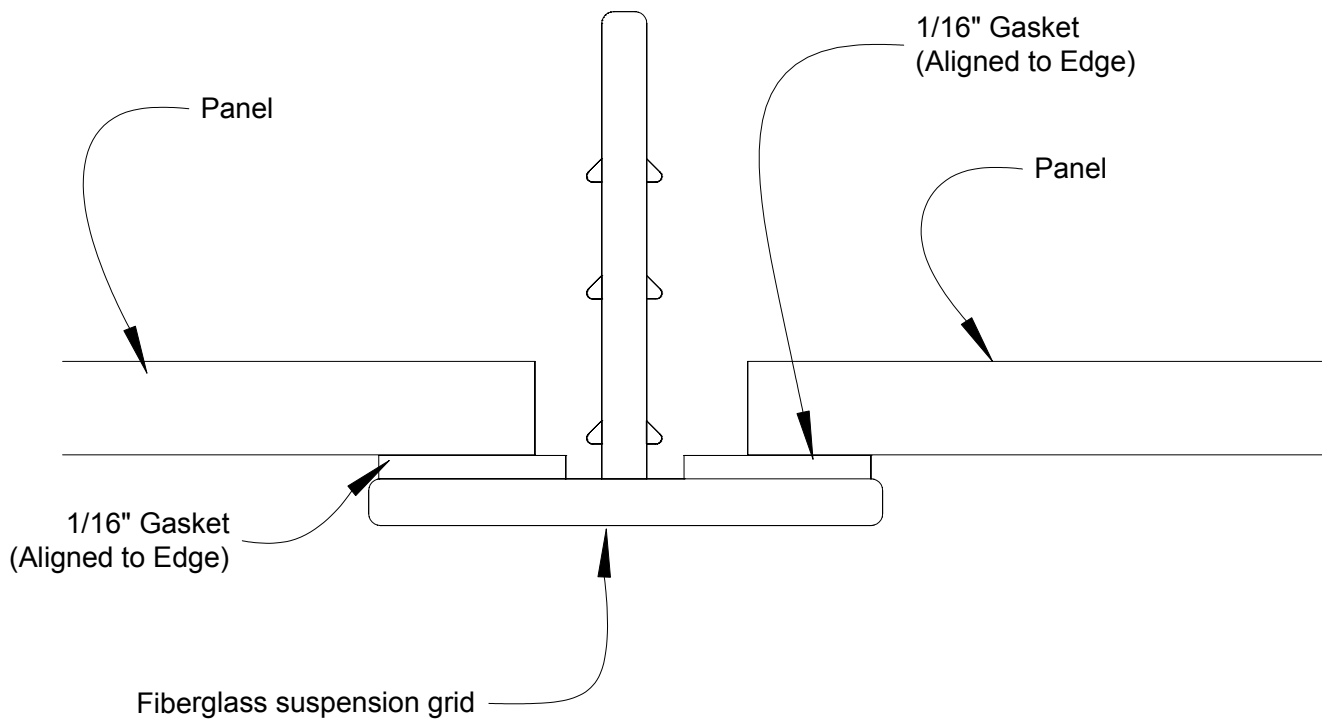
Standard Grid Flush Wall Assembly



Life Science Products, Inc.
 124 Speer Road Chestertown, MD 21620
 www.LSPinc.com

800-638-9874
 (410)778-6474
 Fax (410)778-4076

SIZE A	CAGE CODE	DWG NO GL_c3.04a	REV
SCALE	SHEET		



TITLE **Standard Grid Assembly with 1/16" Gasket**

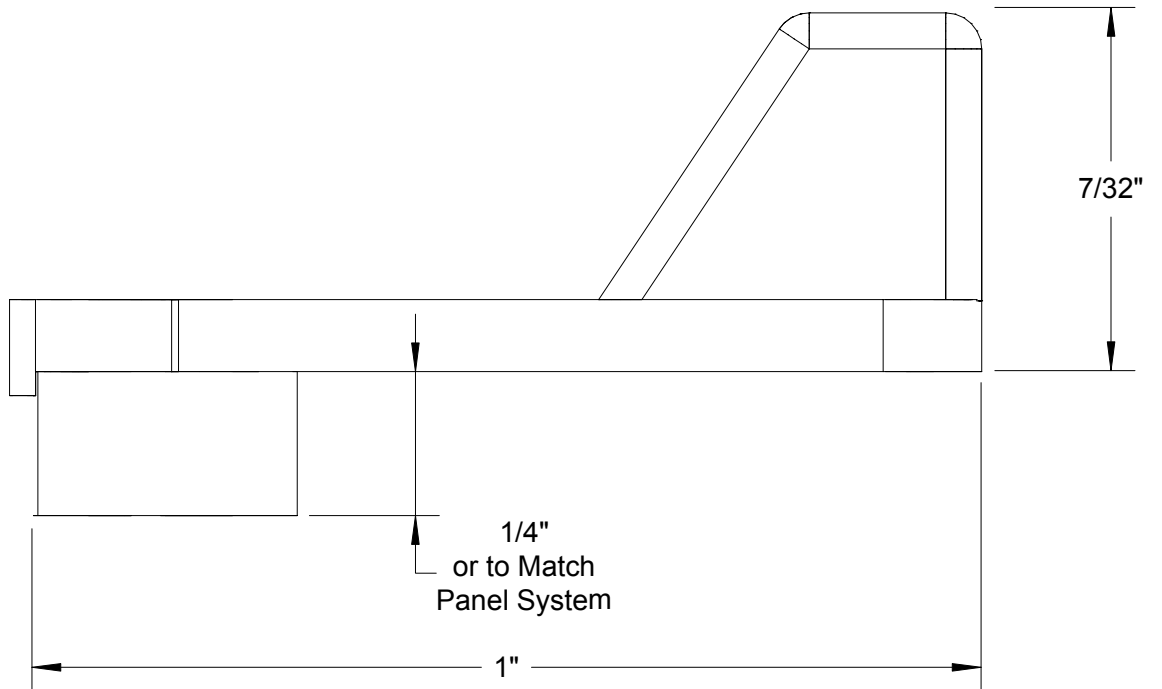
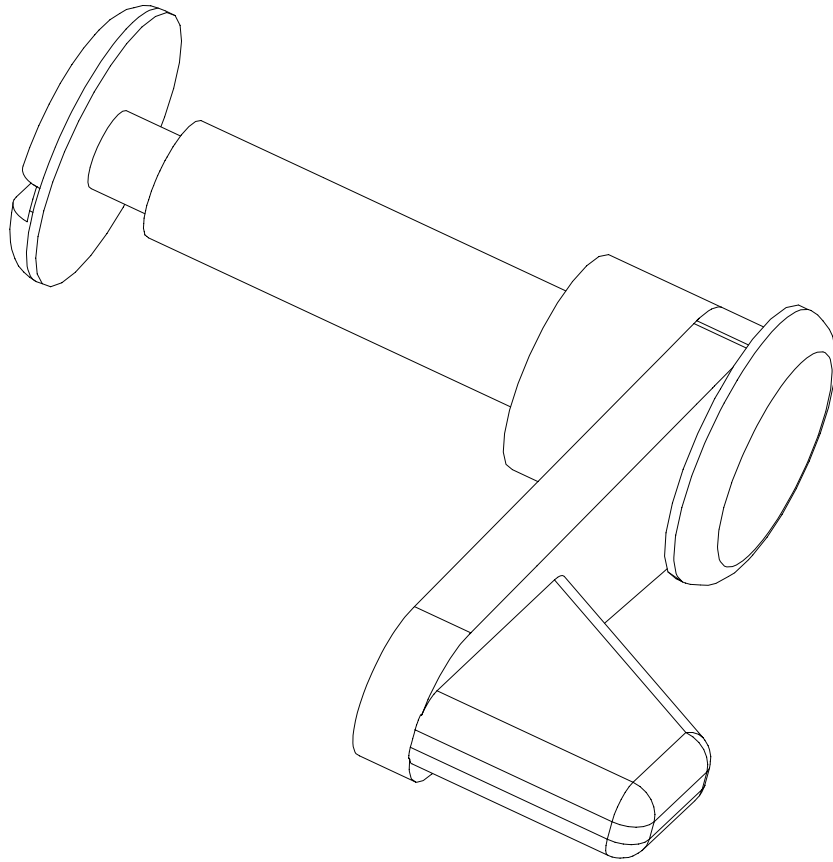
SIZE A	CAGE CODE	DWG NO	REV	GL_c3.05a
------------------	-----------	--------	-----	------------------



Life Science Products, Inc.
 124 Speer Road Chestertown, MD 21620
 www.LSPinc.com

800-638-9874
 (410)778-6474
 Fax (410)778-4076

SCALE
 SHEET



TITLE

GridLock SA standard access assembly

SIZE
A

CAGE CODE

DWG NO

GLSA_c2.20

REV

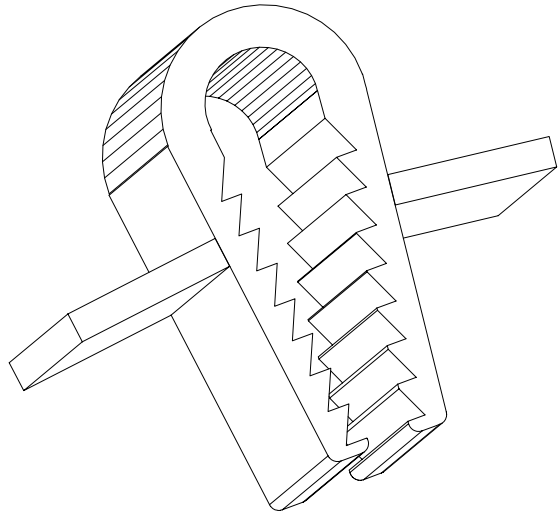


Life Science Products, Inc.
 124 Speer Road Chestertown, MD 21620
 www.LSPinc.com

800-638-9874
 (410)778-6474
 Fax (410)778-4076

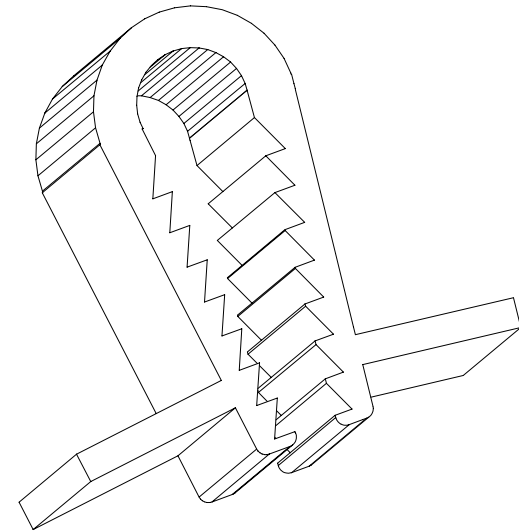
SCALE
 SHEET

Standard Panel Hold Down Clip



Grip range of .750" - 1.250"

Reveal Panel Hold Down Clip



Grip range of .080" -.750"

TITLE

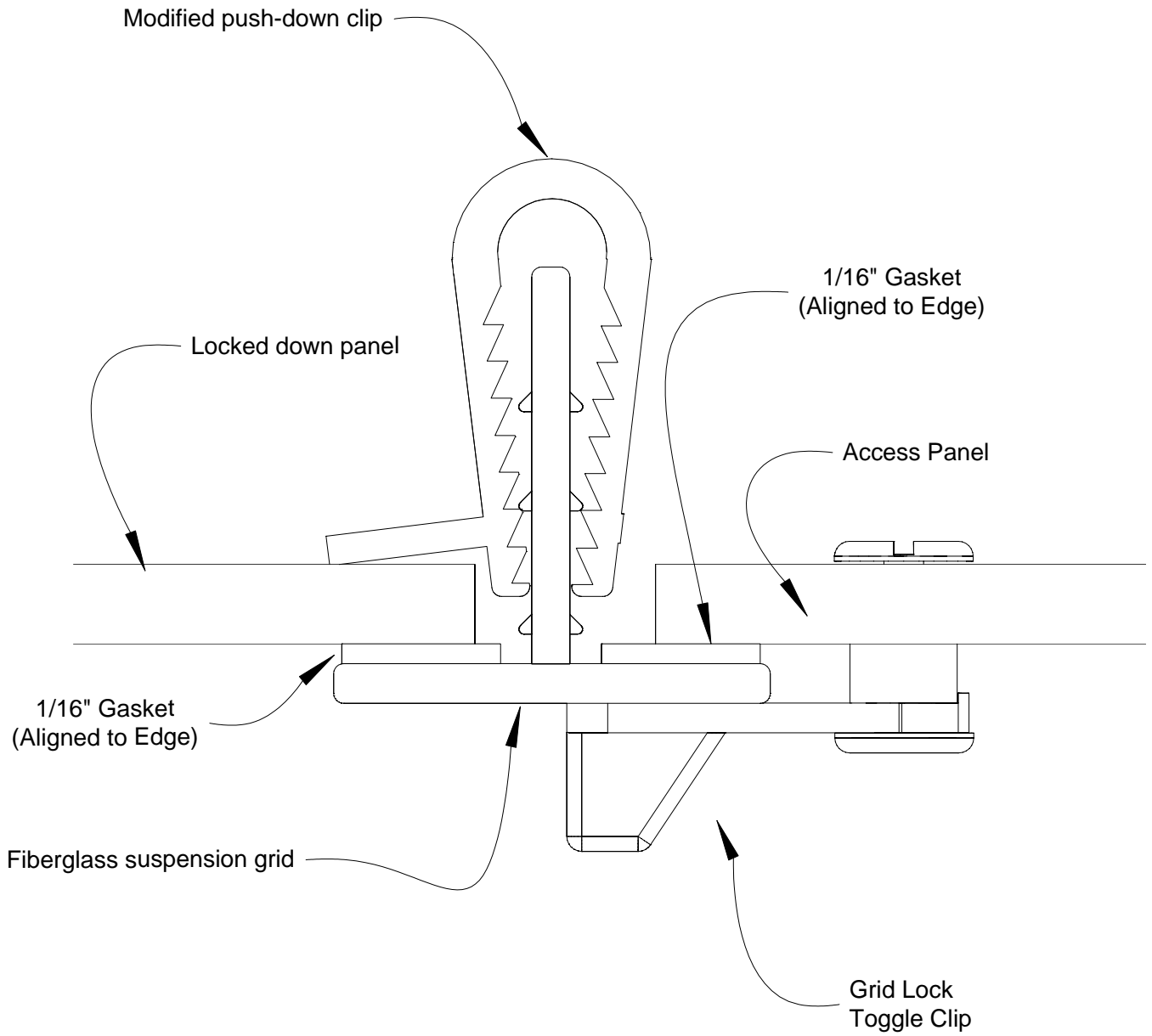
Grid Lock SA panel hold down clips



Life Science Products, Inc.
 124 Speer Road Chestertown, MD 21620
 www.LSPinc.com

800-638-9874
 (410)778-6474
 Fax (410)778-4076

SIZE A	CAGE CODE	DWG NO GLSA_c2.21	REV
SCALE	SHEET		



TITLE **Select Access Grid Assembly with 1/16" Gasket**

SIZE A	CAGE CODE	DWG NO GLSA_c3.06a	REV
------------------	-----------	------------------------------	-----

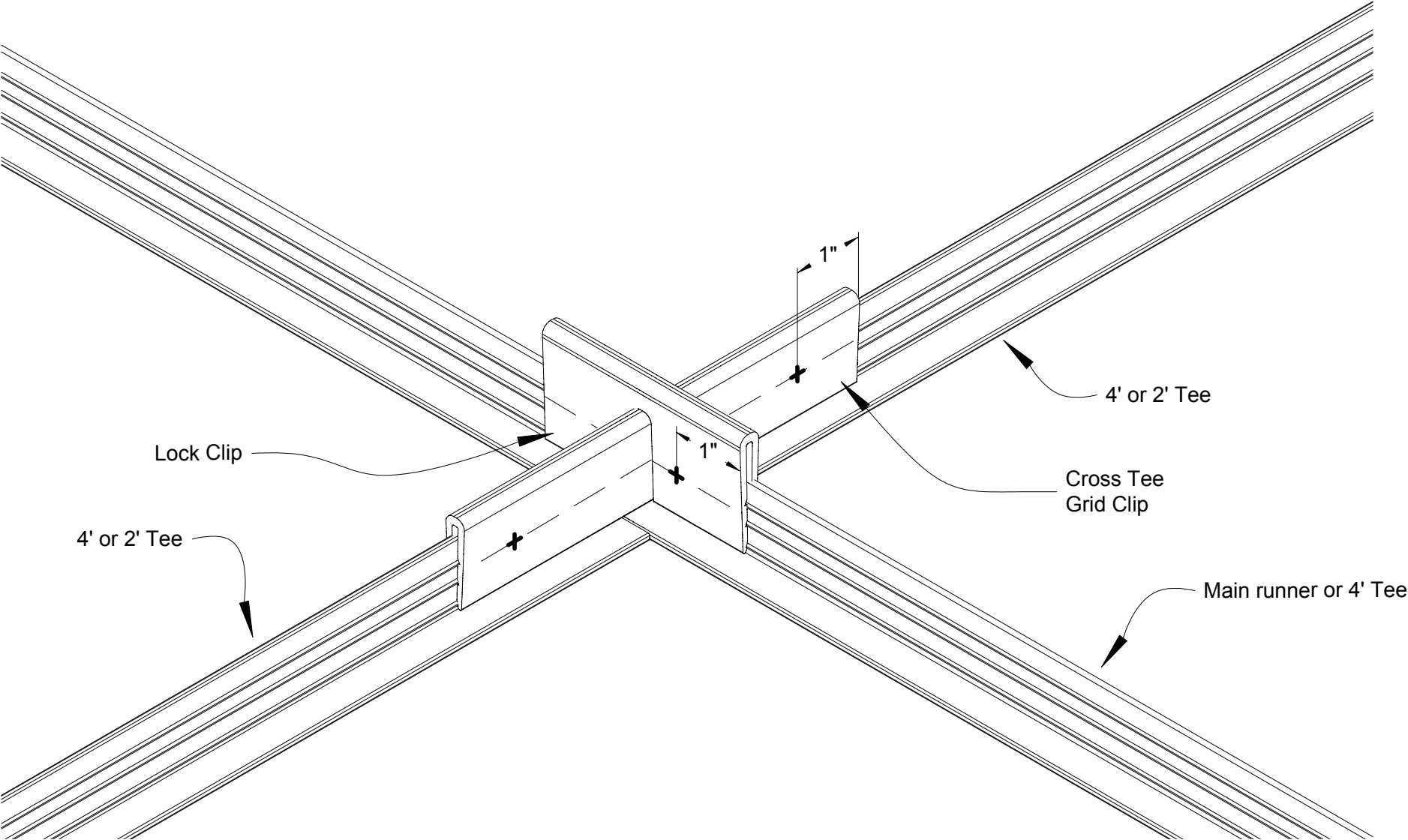


Life Science Products, Inc.
 124 Speer Road Chestertown, MD 21620
 www.LSPinc.com

800-638-9874
 (410)778-6474
 Fax (410)778-4076

SCALE
 SHEET

Top perspective view



TITLE Complete Standard Grid Assembly for GL



Life Science Products, Inc.
 124 Speer Road Chestertown, MD 21620
 www.LSPinc.com

800-638-9874
 (410)778-6474
 Fax (410)778-4076

SIZE A	CAGE CODE	DWG NO GL_c3.01b	REV
SCALE	SHEET		